



LED integrated monoblock pilot lights steady light LPML

Product designation

Product type designation

General characteristics

Colour Green

Material Polyamide

IEC degree of protection IP66, IP67 and IP69K on front; IP20 on rear

Electrical characteristics

Rated frequency Hz 50-60

Supply voltage (AC) V 230 (-15% ... +10% Ue)

Operations

Electrical life hours >30000

Mechanical features

Tightening torque for terminals max Nm 0.8

Terminals screw Screw termination

Conductor section

AWG/kcmil conductor section

min 18

max 16

IEC

max mm² 2.5

Fixing Ring fixing Ø22mm

Weight g 24

UL technical data

UL degree of protection Type1, 2, 3R, 4, 4X, 12, 12K on front

Ambient conditions

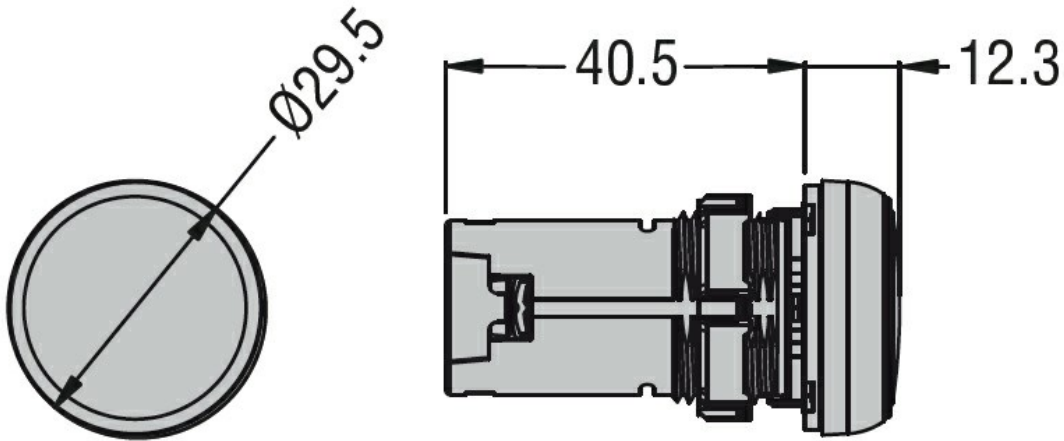
Temperature

Operating temperature

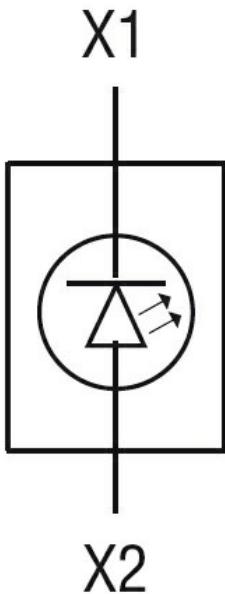
min °C -25

max °C +70

Dimensions



Wiring diagrams



Certifications and compliance

Compliance

CSA C22.2 n° 14
IEC/EN/BS 60947-1
IEC/EN/BS 60947-5-1
UL508

Certificates

cULus
EAC

ETIM classification

ETIM 8.0

EC000272 -
Indicator light
complete